



Technical data sheet

EOS Bi-O Gracil W

Sauna heater with vaporizer for private sauna cabins. Wall-mounting model.

Versatile sauna heater with integrated vaporizer for flexible climate settings - from hot and dry to mild and humid. Slim depth construction. Bi-O Gracil W features a robust construction and a sleek, contemporary design to suit modern sauna cabins. Recommended for residential use.

Your advantages:

- Very space-saving - only 27.5 cm total depth (incl. wall gap)
- Wall mounting with only 3 cm gap to the wall.
- Elegant, straightlined design.
- Durable brushed stainless steel top cover.
- Scratch resistant anthracite pearl effect powder coating.
- Also available as "Black Line Edition" with matt black finish.
- Wall-mounting model, with integrated drip pan.
- Full size 20 kg rock store despite very shallow construction.
- Made in Germany quality from EOS

Specifications:

Outer shell:	zinc-plated steel, with anthracite finish or matt black finish (rear side - no finish)
Inner casing, rear wall:	stainless steel polished
Cover:	brushed stainless steel
Rock store and feet:	stainless steel
Vaporizer:	0,75 kW, 2 l, manual filling, with acoustic water shortage alarm
Tank:	Aluminium (stainless steel optional)
Terminal box:	recessed inside main housing
Power rating:	6.0 kW, 7.5 kW and 9.0 kW
Power supply:	400 V 3N AC 50 Hz
Dimensions: (H x W x D) :	760 x 560 x 275 mm
Rock store volume:	approx. 20 kg (Sauna stones optionally available)
Installation:	wall-mounted heater

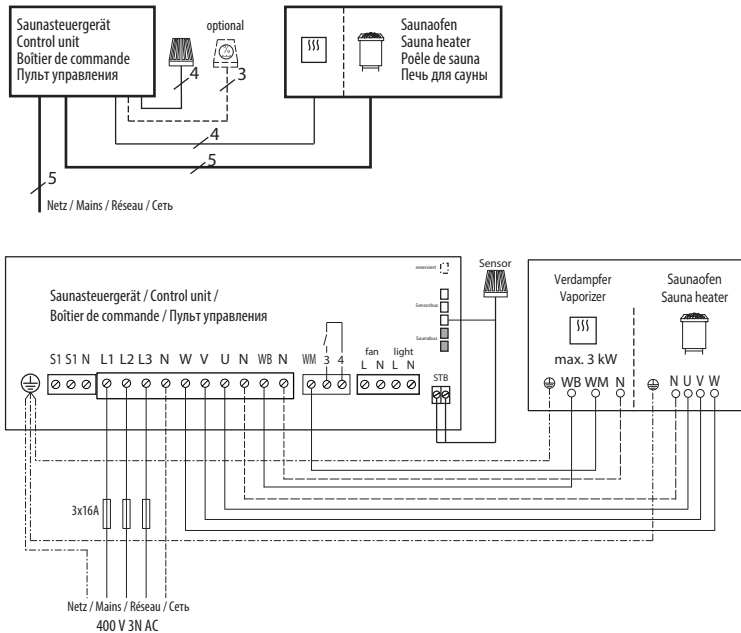


Wooden guard rail with direct mounting on the heater, optionally available

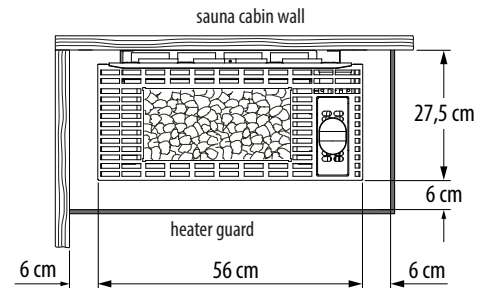



 MADE IN GERMANY
 

Connection diagram



Safety gaps

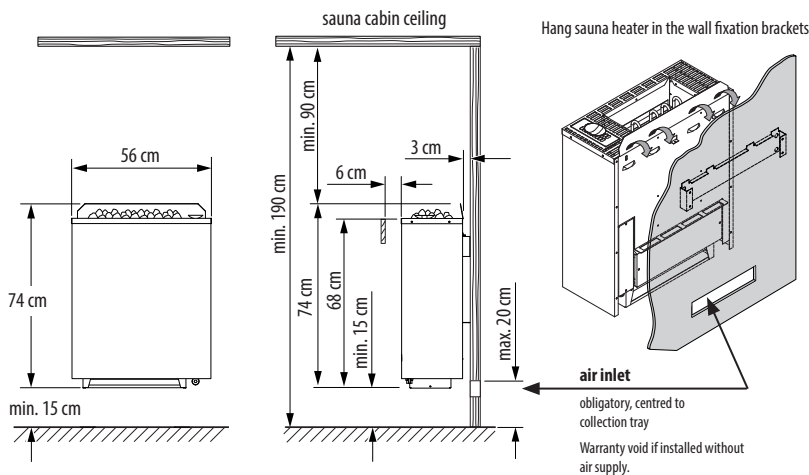


Stove guard must be installed by the cabin manufacturer.

Suitable sauna control units

Model	Item no.
EOS Econ H1	94.6137
EOS Econ H2	94.6139
EOS Econ H3	94.6141
EOS Econ H4	94.5843
EOS EmoTec H series	
EOS EmoStyle H / Hi series	
EOS EmoTouch 3 series	

Installation example



Spare parts

Description	Item no.
Heating element for 6,0 kW (1500 W)	2000.1852
Heating element for 7,5 kW (1500 W)	2000.1852
Heating element for 9 kW (1500 W)	2000.1852
Heating element vaporizer (1500 W)	2001.4952

Specifications

Item no.	Power output	Vaporizer	Power supply	Fuse protection (control unit)	Dimensions H/W/D, in cm	For sauna cabin size	Min. size air inlet and outlet	Weight without rocks*	Connection mains - control unit	Connection control unit - heater	Power extension required
94.6986A	6,0 kW	0,75 kW 2 l tank	400 V 3N AC 50 Hz	3 x 16 A	76 / 56 / 25	7 - 10 m ³	35 x 5 cm	23,5 kg	5 x 2,5 mm ²	5 x 1,5 mm ² & 4 x 1,5 mm ²	no
94.7161A / 94.7327**	7,5 kW					9 - 14 m ³	35 x 6 cm	24,0 kg			
94.7162A / 94.7328**	9,0 kW					11 - 15 m ³	35 x 6 cm	24,5 kg			

All cable cross sections are minimum diameters in mm² by copper wire

*The weight refers to the standard version with aluminium water tank. Stainless steel water tank optionally available, +1,0 kg weight, Art. No. without addition „A“

**matt black finish

Druck-Nr.: 2934 5041 37.20

Technical changes reserved